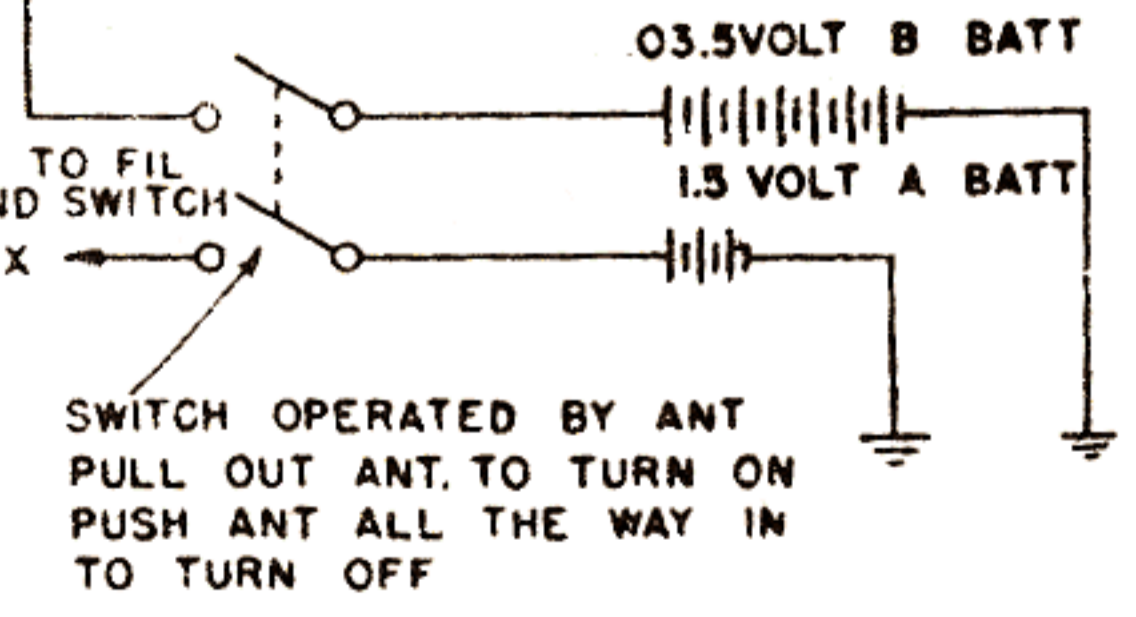
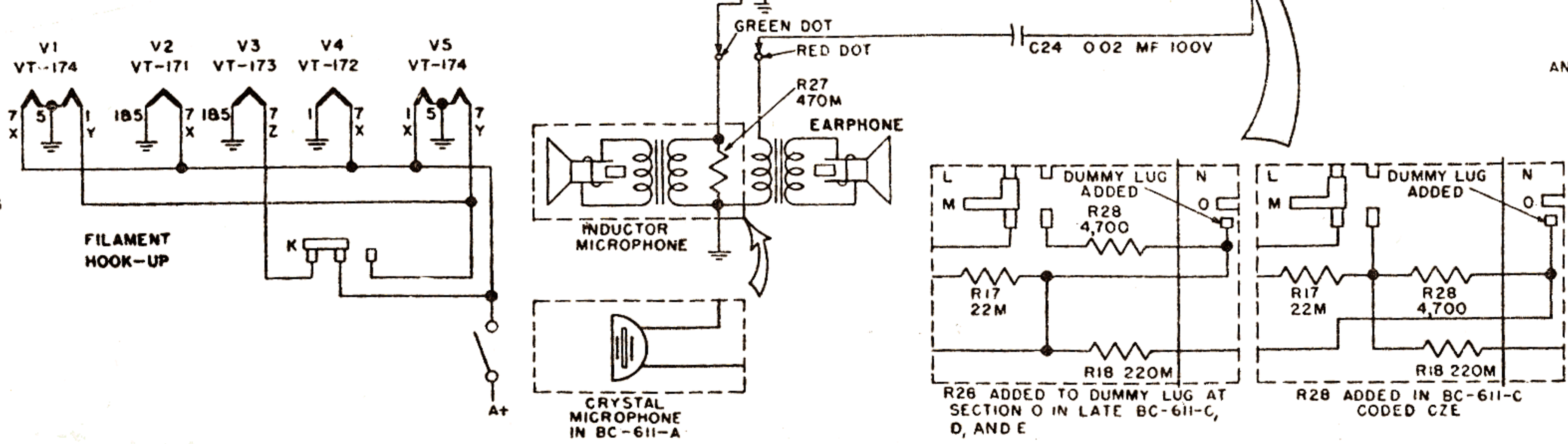


NOTE

⊢ IS SYMBOL FOR FIXED CAPACITOR
 ⊢ IS SYMBOL FOR VARIABLE CAPACITOR

M=1,000Ω
 ALL RESISTORS ARE 1/4 WATT
 ALL CAPACITOR RATINGS ARE DC WORKING VOLTAGES

* SWITCH SECTIONS E AND F ARE TRANSPOSED ON SETS CODED GZE
 REFERENCES IN PARENTHESES REFER TO BC-611-A AND BC-611-B



SWITCH OPERATED BY ANT
 PULL OUT ANT. TO TURN ON
 PUSH ANT ALL THE WAY IN
 TO TURN OFF

BC-611 Transceiver

